

# DAC8 / DAC8R

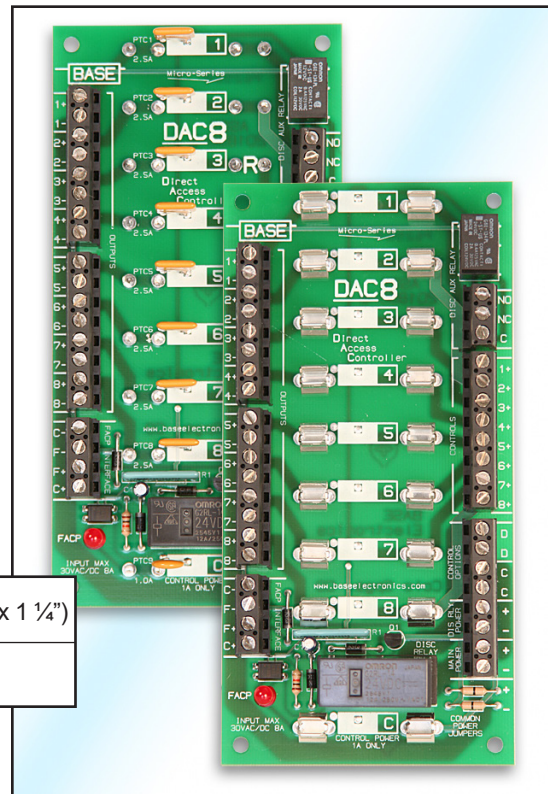
Direct Access Controller

# BASE

for **SECURITY • ACCESS CONTROL** systems

Micro-Series

- ▶ **Distributes Door Lock Power to 8 Fused or PTC Protected Outputs**
- ▶ **Outputs Directly controlled by an Access Control System (no relay isolation)**
- ▶ **Fail-Safe or Fail-Secure Selectable per Output**
- ▶ **Low Power FACP Interface for Emergency Fail-Safe Power Disconnect**
- ▶ **Low cost and replaceable Disconnect Relay with Aux contact for alarm monitoring**
- ▶ **Small Footprint PCB - 3.0" w x 6.0" h**
- ▶ **Includes Mounting Hardware**



<b>DAC8</b>	Includes (8) 2.0 A replaceable fuses, standard 3AG (1/4" x 1 1/4")
<b>DAC8R</b>	Includes (8) 2.5 A PTC auto-resettable fuses

The DAC8 / DAC8R distributes power from a low voltage power source to 8 fused door lock outputs.

The DAC8 includes standard replaceable 2.0 Amp 3AG-type fuses (1/4" x 1 1/4"). The DAC8R uses 2.5 Amp PTC auto-resettable fuses. Terminals are provided for fail-safe or fail-secure control of each output directly by an Access Control System. Each module includes a low-power FACP Interface and low-cost, replaceable Lock Power Disconnect relay for Emergency Power Disconnect. A Red LED indicator is provided for easy visual identification of an energized relay. Aux contact terminals are provided for monitoring of the disconnect feature.

The Micro-Series modules have been designed to put powerful features in a small footprint. The module circuit board is only 3.00" x 6.00". Nylon standoffs are included for mounting the board. Heavy-duty wire clamp terminals allow for 14-22 AWG wiring.

Installs fast. All instructions, wiring diagrams, and mounting hardware is included. Improves power reliability while making system maintenance easier.

© Copyright 2022 BASE Electronics, Inc.

[www.baseelectronics.com](http://www.baseelectronics.com)



# DAC8 / DAC8R Direct Access Controller

Micro-Series

## DAC8 / DAC8R Specifications

- Indoor Temperature Range: 0° C. to +49°C.
- Electrical
  - Maximum Main Power Input Voltage AC/DC: 30V
  - Maximum Total Output Current: 8A
  - Maximum Recommended Current per Output: 2.5A
  - Disconnect Relay Power Input: 12 or 24VDC (-10%, +30%)
  - Disconnect Relay Power Input Fuse: 1A fuse or PTC
  - FACP Interface Maximum Current Draw: 10 mA
  - Maximum Current Draw of Disconnect Relay Power Input: 70 mA

Connections: Captive Screw Terminals for 14-22AWG Wire  
 PTC Outputs: 2.5A PTC Resettable Devices included (DAC8R)  
 Fuse Outputs: 2.0A 3AG-type Fuses included (DAC8)

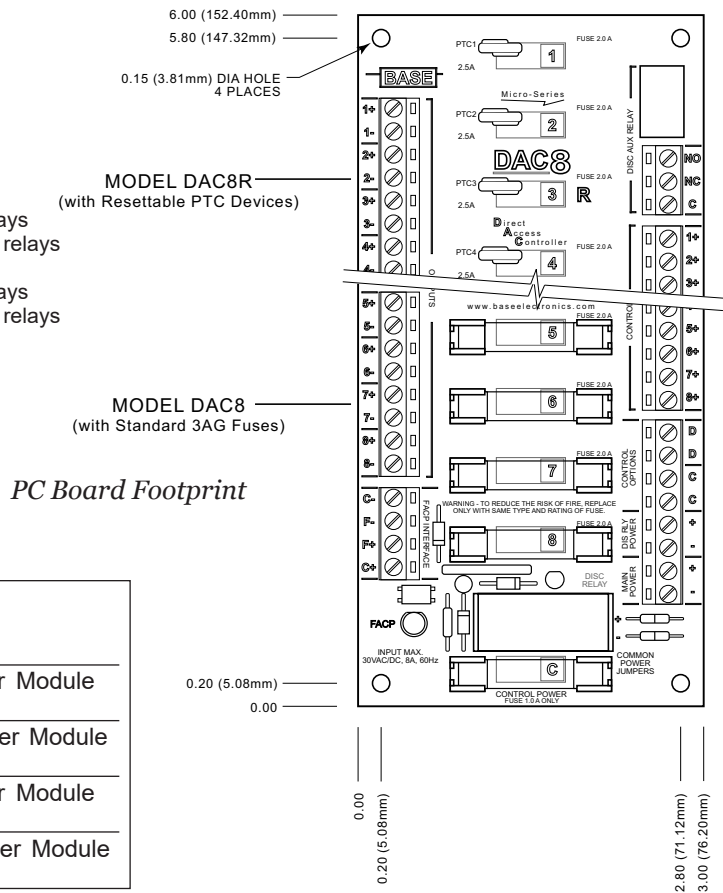
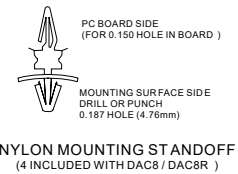
- Other Features
  - Fail-Safe or Fail-Secure selectable per output
  - Outputs and Relay Control power can be common or separately powered
  - Red LED indicator for Disconnect Relay status
  - Disconnect Aux Relay terminals for alarm monitoring

Size: 3.00 (76.20) wide by 6.00 (152.40) [ inches (mm) ]

Mounting: (4) 1/4 inch high nylon standoffs included

- Models (Use these part numbers when ordering)
  - for 12VDC Disconnect Relay Power Input**
    - DAC8-12 Includes 8 replaceable 2.0A fuses, 12VDC relays
    - DAC8R-12 Includes 8 PTC resettable 2.5A fuses, 12VDC relays
  - for 24VDC Disconnect Relay Power Input**
    - DAC8-24 Includes 8 replaceable 2.0A fuses, 24VDC relays
    - DAC8R-24 Includes 8 PTC resettable 2.5A fuses, 24VDC relays

- Other related BASE products
  - PM8 / PM8R Power Distribution Module
  - MAC8 / MAC8R Multi Access Controller
  - LVPC Custom Prewired Power Cabinet Assemblies



Ordering Information	
Part Number	Description
<b>DAC8-12</b>	DAC8 Direct Access Controller Module with 2.0A fuses, 12vdc relays
<b>DAC8R-12</b>	DAC8R Direct Access Controller Module with 2.5A PTCs, 12vdc relays
<b>DAC8-24</b>	DAC8 Direct Access Controller Module with 2.0A fuses, 24vdc relays
<b>DAC8R-24</b>	DAC8R Direct Access Controller Module with 2.5A PTCs, 24vdc relays

(Individual replacement fuses and relays available at BASE)

