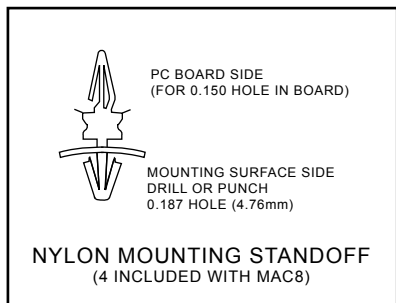
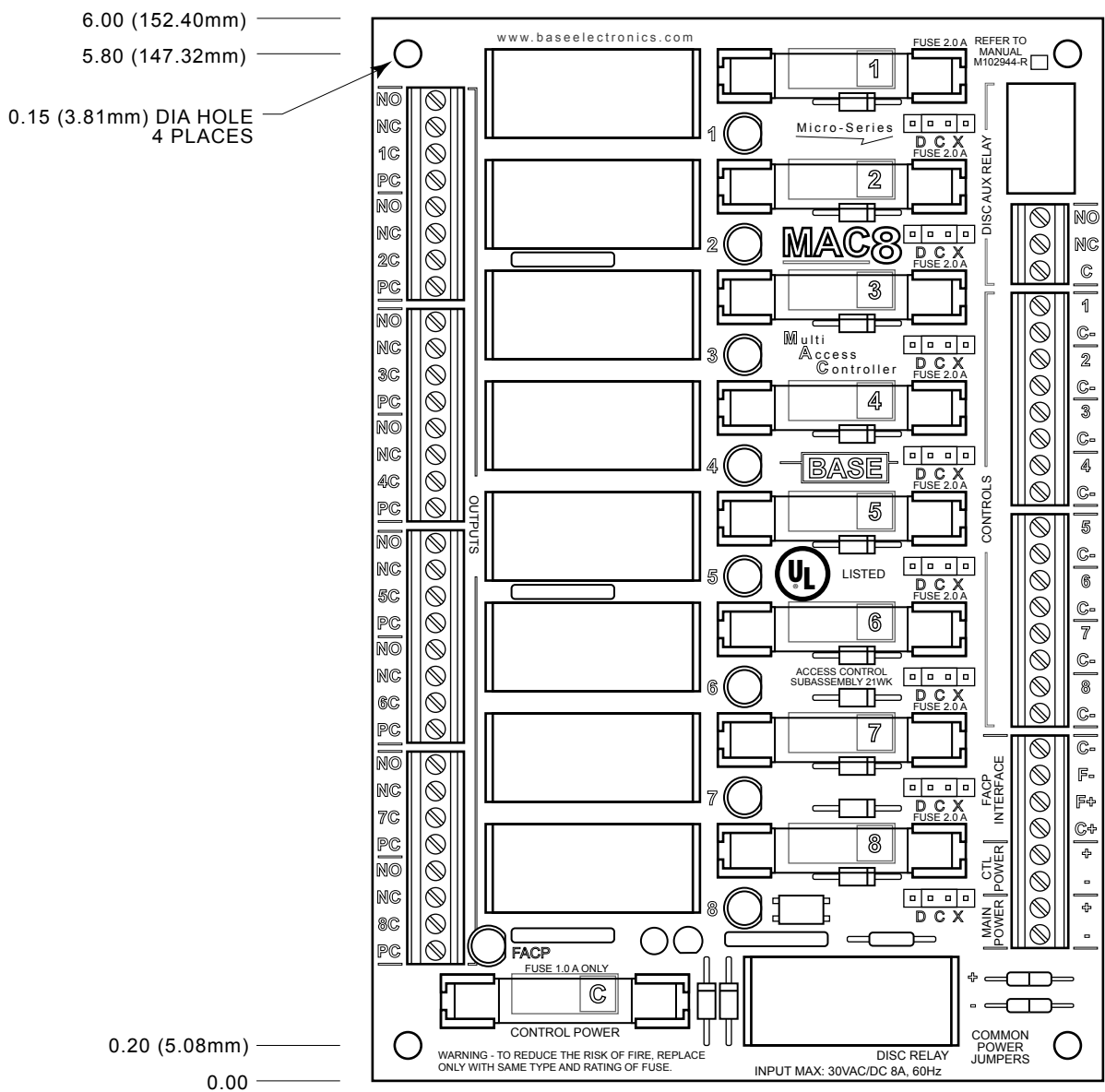


# MAC8 Multi Access Controller

**BASE**

## PC Board Footprint



[www.baseelectronics.com](http://www.baseelectronics.com)