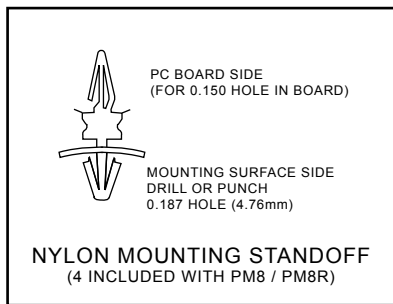
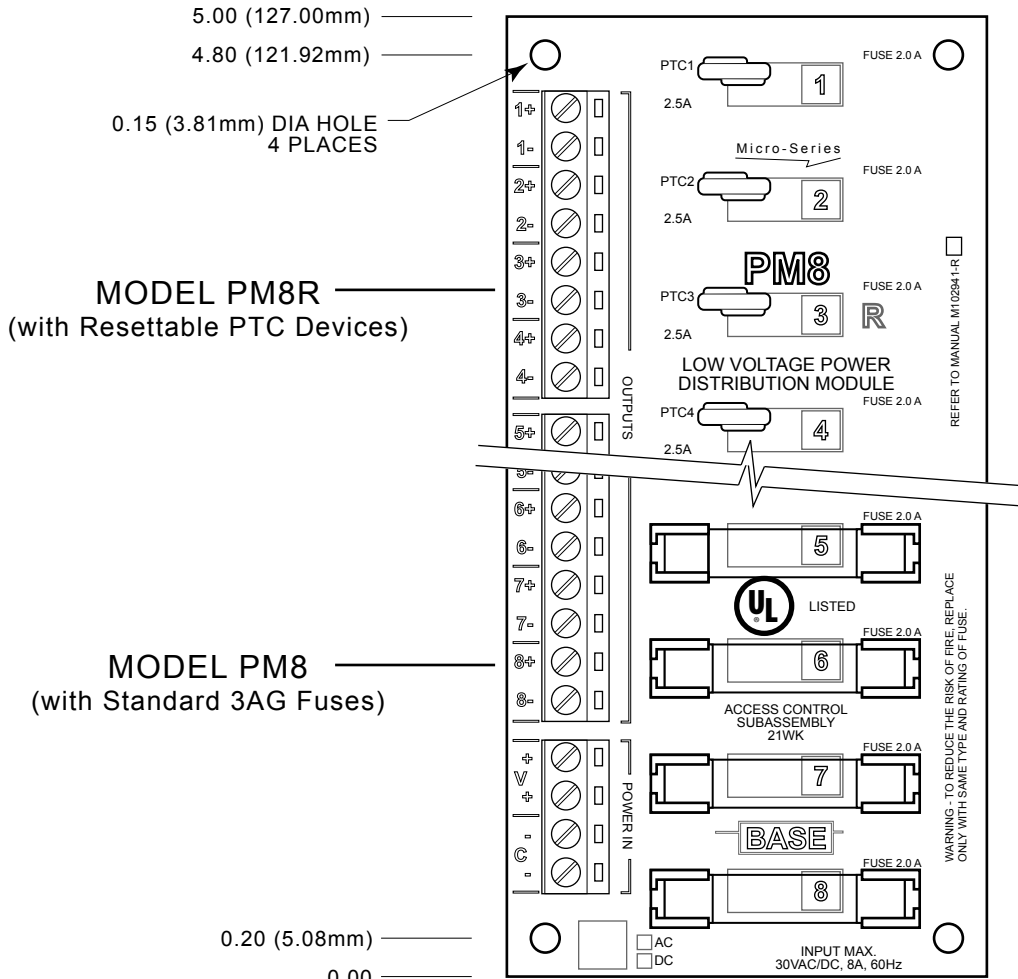


PM8 / PM8R Power Distribution Module

BASE

PC Board Footprint



www.baseelectronics.com