

PM8 / PM8R

Low Voltage Power Distribution Module

BASE

for SECURITY • ACCESS CONTROL • CCTV systems

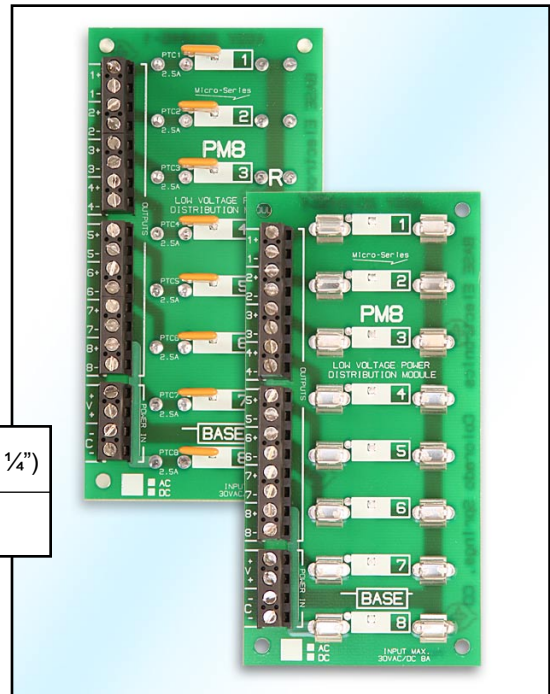
Micro-Series



UL 294 Access Control Subassembly

- ▶ **Distributes Power to 8 Fused Outputs**
- ▶ **For operation to 30VAC/DC , 8 Amps**
- ▶ **Small Footprint PCB - 2.5" w x 5.0" h**
- ▶ **Includes Mounting Hardware**

PM8	Includes (8) 2.0 A replaceable fuses, standard 3AG (1/4" x 1 1/4")
PM8R	Includes (8) 2.5 A PTC auto-resettable fuses



The PM8 / PM8R distributes power from a low voltage power source to 8 fused outputs. The PM8 includes standard replaceable 2.0 Amp 3AG-type fuses (1/4" x 1 1/4"). The PM8R uses 2.5 Amp PTC auto-resettable fuses. The module is ideal for distributing power to CCTV Cameras, Security System Components, Motions Detectors, Exit Buttons, etc.

The Micro-series modules have been designed to provide powerful features in a small footprint. The module circuit board is only 2.50" x 5.00". Nylon standoffs are included for mounting the board. Two terminals are provided for each output. Two terminals are provided for power input and another 2 terminals are included for daisy-chaining power to the next module, if needed. Heavy-duty wire clamp terminals allow for 14-22 AWG wiring.

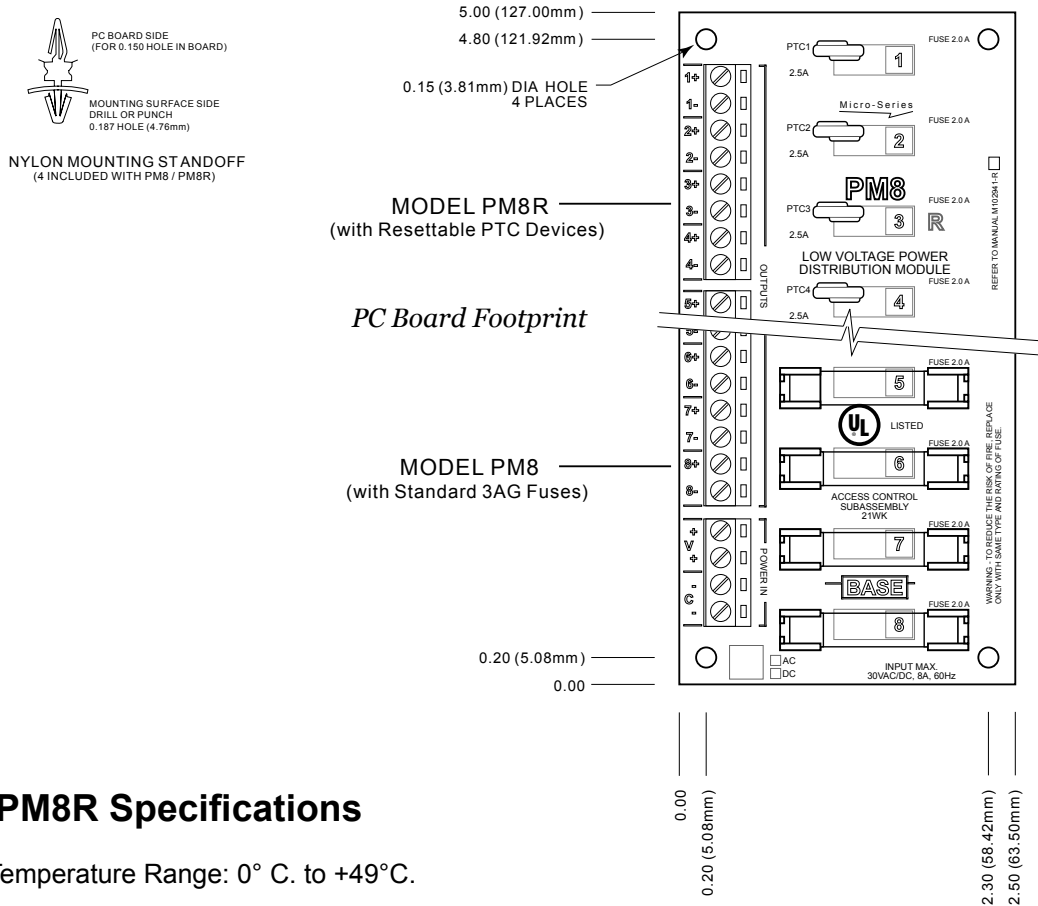
Using the PM8 helps provide a custom, professional installation in a very small space. System installation time and cabling complexity is reduced while improving system maintainability. The PM8 is a basic building block in any distributed power system and is used in many BASE Custom Prewired Power Cabinet Assemblies.

© Copyright 2006-2007 BASE Electronics, Inc.

www.baseelectronics.com



PM8 / PM8R Low Voltage Power Distribution Module



PM8 / PM8R Specifications

- Indoor Temperature Range: 0° C. to +49°C.
- Electrical
 - Maximum Voltage AC/DC: 30V
 - Maximum Total Current: 8A
 - Maximum Recommended Current per Output: 2.5A
 - Connections: Captive Captive Screw Terminals for #14 to #22AWG Wire
- Size: 2.50 (63.50) wide by 5.00 (127.00) [inches (mm)]
- Mounting: (4) 1/4 inch high nylon standoffs included
- Models
 - PM8 Includes 8 replaceable 2.0A fuses.
 - PM8R Includes 8 PTC resettable 2.5A fuses.
- Other related BASE products
 - MAC8 Multi Access Controller
 - LV Series Power Distribution Modules
 - Custom Prewired Power Cabinet Assemblies



UL 294 Access Control Subassembly