

BASE

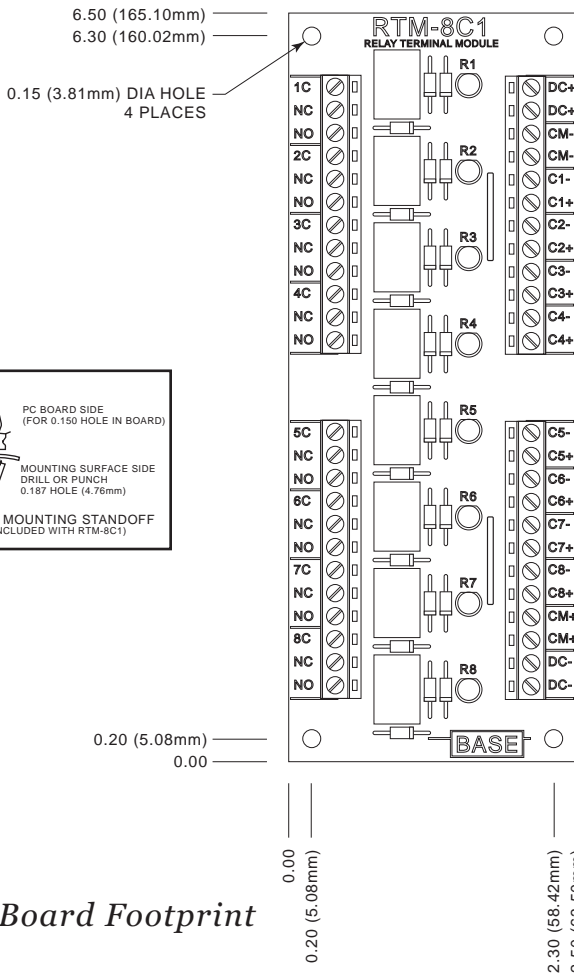
RTM-8C1
Relay Terminal Module

Installation and Operation Manual

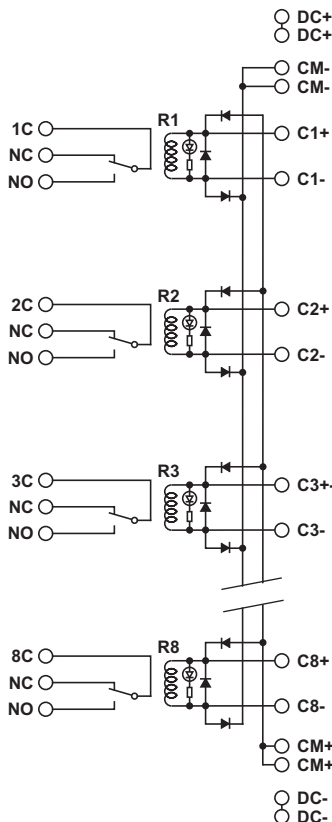
www.baseelectronics.com

BASE Electronics, Inc.

2856-C Janitell Road • Colorado Springs, CO 80906 • (719) 540-9697 • Fax (719) 540-9698



PC Board Footprint



RTM-8C1 Schematic Diagram

RTM-8C1 Specifications

- Indoor Temperature Range: -25° C. to +70°C.
- Electrical
DC Control Voltage: 5, 12, or 24 (specify when ordering)
Typical Relay Coil Current Draw: 75 mA at 12VDC
Relay Contact rating: 2.0 A
Connections: Captive Screw Terminals for #14 to #22AWG Wire
Indicators: Red LED Indicators at all 8 relay positions
- Size: 2.50" wide by 6.50" long
- Mounting: (4) 1/4 inch high nylon standoffs included

BASE Electronics, Inc.

2856-C Janitell Road • Colorado Springs, CO 80906 • (719) 540-9697 • Fax (719) 540-9698

Limited Warranty

The RTM-8C1 Relay Terminal Module is warranted by BASE Electronics against manufacturing defects in materials and workmanship for a period of 1 year from date of purchase. During this period, any warranty repair required will be made at no charge for parts or labor. This warranty does not apply to any work or materials provided by any outside persons or technicians involved in the installation, unauthorized repair, connection, or testing of this product. This warranty does not cover any damage or failure caused by or attributable to Acts of God, abuse, misuse, improper or abnormal usage, faulty or improper installation or maintenance, neglect or accident. BASE Electronics is not responsible or liable for any special, consequential or indirect damages resulting from or in connection with the use or performance of this product as pertaining to economic loss, property loss, costs for removal or installation, or loss of revenues or profit. Except as provided herein, BASE Electronics makes no expressed or implied warranties. The duration of product performance for its intended purpose is limited to the duration set forth herein.

For Warranty or other repair, send the product postage prepaid to BASE Electronics and include Sender's name, company, address, phone and brief problem description. BASE Electronics will notify sender of any required repair costs not covered under this warranty prior to making such repairs.

This Warranty gives you specific legal rights. You may have other rights that vary from state to state.

RTM-8C1 Relay Terminal Module

The RTM-8C1 Relay Terminal Module provides 8 individual SPDT relays together on one printed circuit board. Relays can be individually or commonly operated by using either positive or negative control switching. On-board diode isolation means only 9 wires maximum are needed for relay control. Red LED indicators are provided at each relay position for easy identification of energized relays. Outputs are dry form-C contacts rated at 2 Amps. Models are available for 5V, 12V and 24V DC control. Wire clamp terminals are provided for 14-24ga wiring. The module is 2.5" wide x 6.5" high. Standoffs are included for mounting the circuit board in a user-supplied enclosure.

INSTALLATION

Choose a location and drill (4) 0.187" (3/16") diameter holes to match the (4) corner holes in the printed circuit board. Push the nylon standoffs supplied into each hole and snap the module into place.

