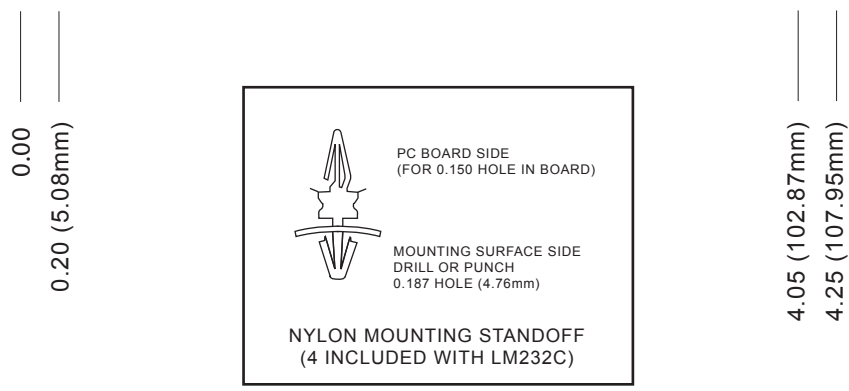
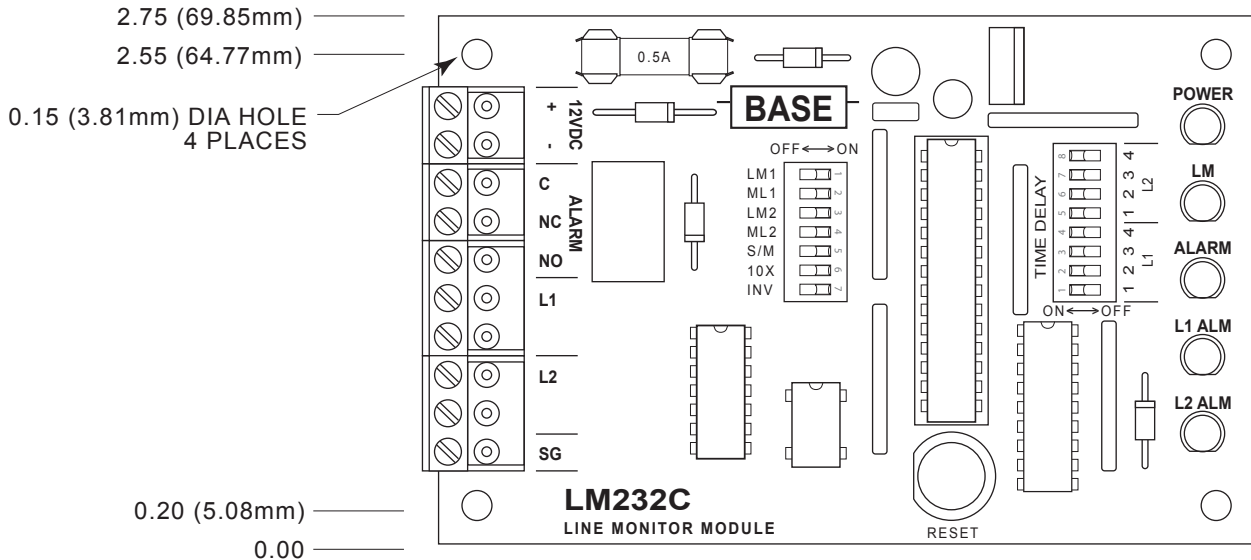


# LM232C Line Monitor Module

**BASE**

## PC Board Footprint

**! CAUTION !**  
 Static sensitive components  
 Use proper care when handling



[www.baseelectronics.com](http://www.baseelectronics.com)