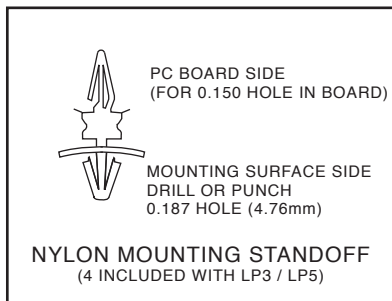
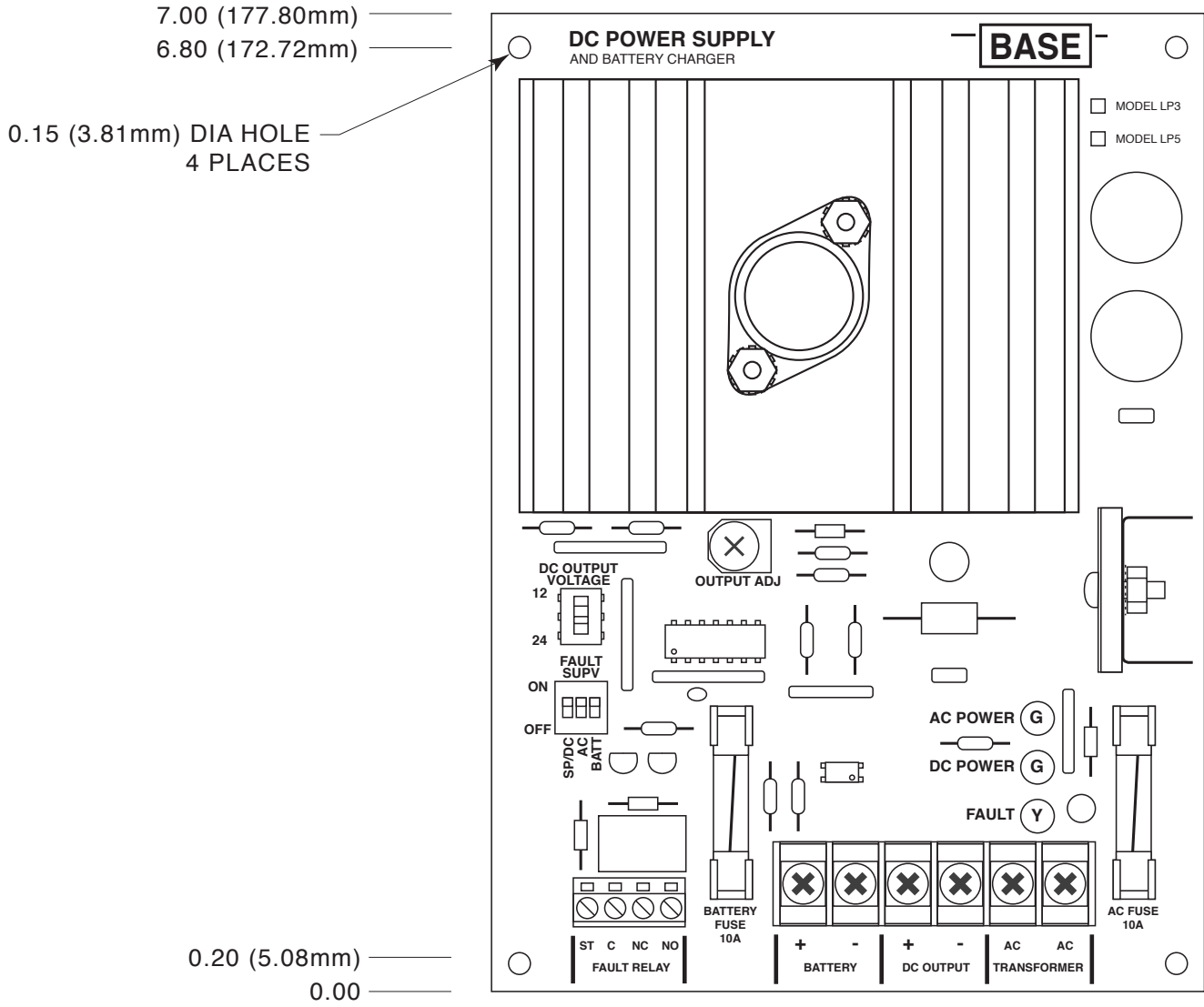


LP3 / LP5 DC Power Supply



PC Board Footprint



0.00

0.20 (5.08mm)

4.90 (124.46mm)

5.10 (129.54mm)

www.baseelectronics.com