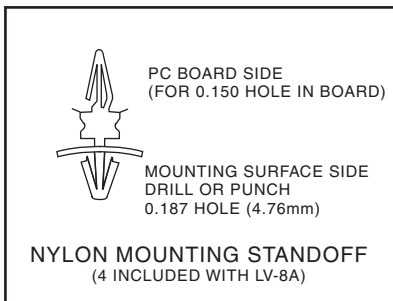
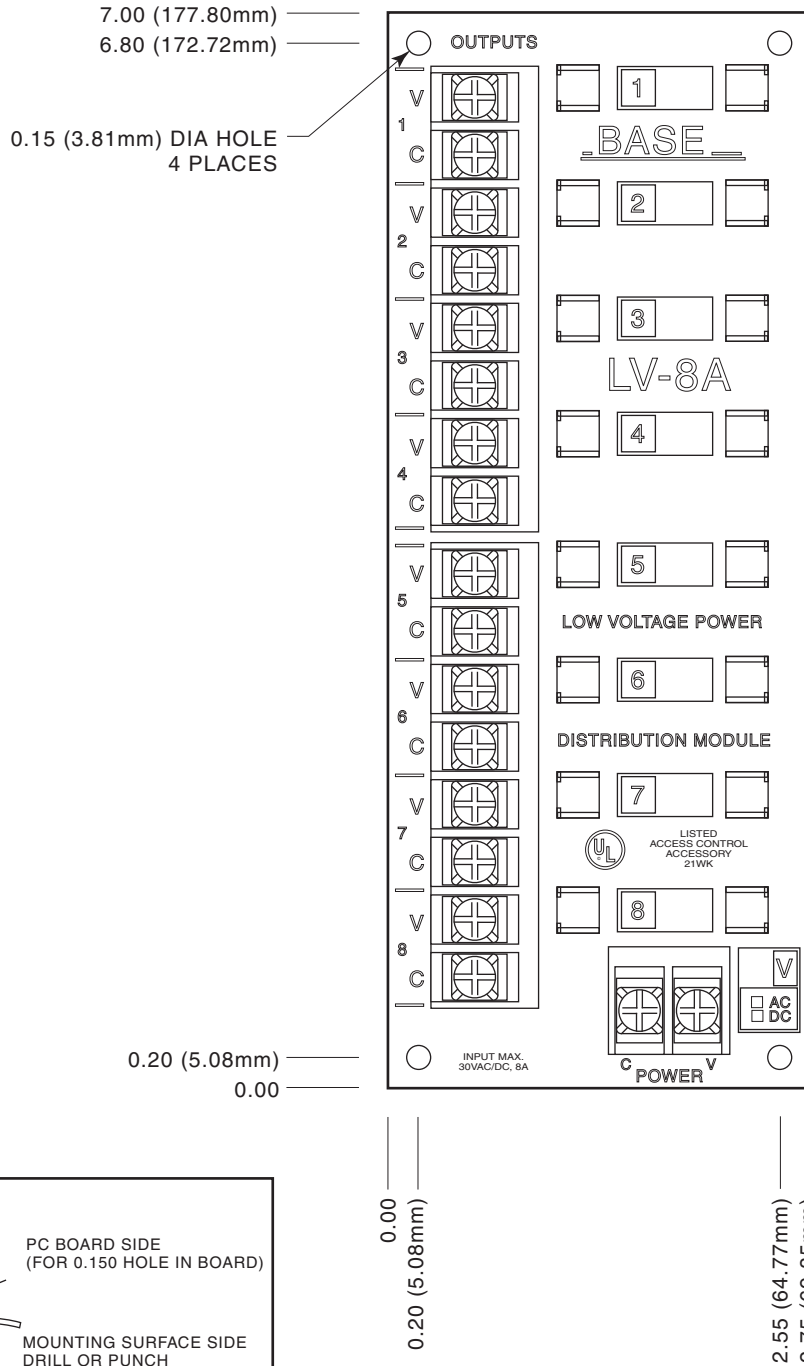


# LV-8A Power Distribution Module



## PC Board Footprint



[www.baseelectronics.com](http://www.baseelectronics.com)