

LV-8RCL LV-8RCL-N

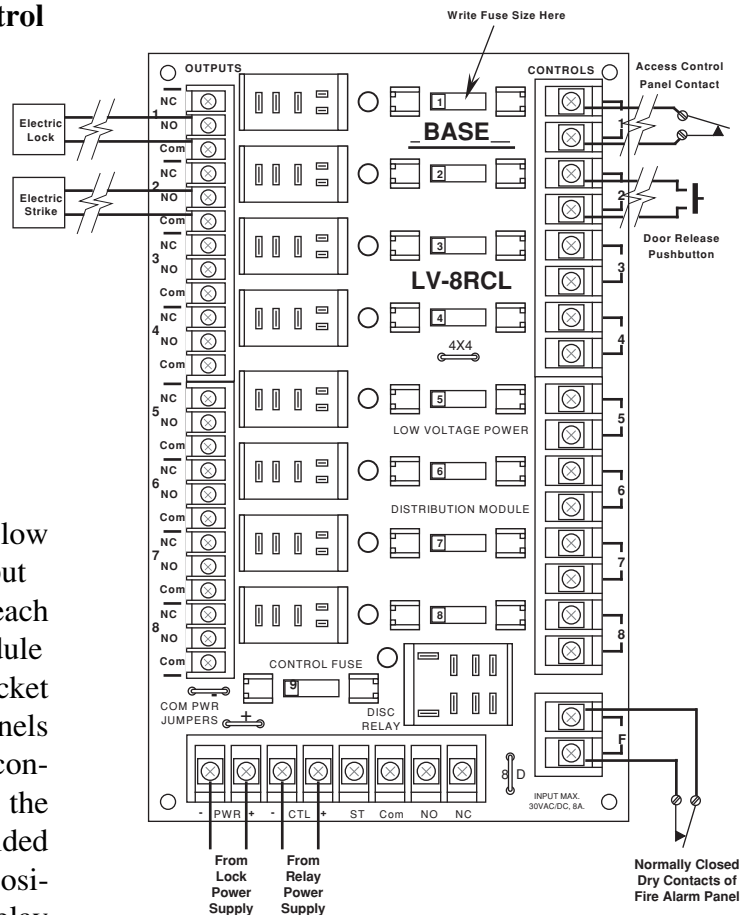
Low Voltage Power Distribution Module

BASE

for **SECURITY • ACCESS CONTROL** systems

- Distributes Power to 8 Fused Outputs through Isolation Relays
- Interfaces to Access Control and Fire Panels Positive (source) or Negative (sink) Relay Control
- Emergency Disconnect & Alarm Monitor
- 3 Operational Modes
 - 8 Outputs with Disconnect
 - 8 Outputs without Disconnect
 - 4x4 Mode (4 with, 4 without)
- Red LED Indicators at all Relay Positions
- Complete Manual and Wiring Diagrams
- Compact Size 5.0 x 8.0 x 2.5 inches installed
- 2 Year Warranty

The LV-8RCL / LV-8RCL-N distributes power from a low voltage power source to 8 fused outputs through output isolation relays. Terminals are provided for control of each output relay by an Access Control system. Each module includes a high-current 2-pole Disconnect Relay socket and easily interfaces to Fire, Life Safety or Alarm Panels to provide Emergency Power Disconnect. Auxiliary contact terminals are provided for alarm monitoring of the Disconnect feature. Relays and 3AG-type Fuses provided separately. The LV-8RCL model switches the relay positive terminal (source). The -N model switches the relay negative terminal (sink).



Configurable for 3 Modes of Operation: 1) 8 Outputs with Disconnect, 2) 8 Outputs without Disconnect and 3) 4X4 Mode (4 with and 4 without Disconnect). Red LED indicators are provided for easy identification of energized relays.

Installs fast. No soldering or wire terminal crimping. All instructions, wiring diagrams, and mounting hardware is included. Improves power reliability and makes system maintenance easier. The LV-8RC / LV-8RCL helps provide a custom, professional installation and reduces costly, emergency service calls.

LV-8RCL / LV-8RCL-N

Low Voltage Power Distribution Module

Specifications

- **Environmental**

Indoor Temperature Range: -25° C. to +70°C.

- **Electrical**

Maximum Voltage AC/DC: 30V (LV)

Maximum Recommended Total Current : 8A

Maximum Recommended Current at any Output : 2.5A

Connections: Captive Wire Screw Terminals for #14 to #24AWG Wire

Fuseholders: for standard 3AG type fuses supplied separately (available through BASE)

Relay Sockets: for IDEC RH Series plug-in relays (available through BASE)

- **Size**

5.00 wide by 8.00 long by 2.50 maximum height with relays installed (inches)

- **Mounting**

(4) 1/4 inch high nylon standoffs included for PCB mounting into user-supplied enclosure.

- **Controls and Jumpers**

Red LED Indicators at all 9 relay positions

Common Power - and +, Cut = Separate Relay Control Power, Uncut = Common Power

Mode Jumpers - each Output, Uncut = 8 Outputs without Disconnect

 Cut 8D Jumper = 8 Outputs with Disconnect

 Cut 4X4 Jumper = 4 with, 4 without Disconnect

- **Models**

LV-8RCL Positive Control for Relays (source)

LV-8RCL-N Negative Control for Relays (sink)

- **Other BASE Products**

LV-8A - Basic Low Voltage Power Distribution - 8 Fused Outputs

LV-8S - Selectable 8 Output Power Distribution without Isolation Relays

LV-8RS - Selectable 8 Output Power Distribution with Isolation Relays

RTM Series Relay Terminal Modules

LVPC Series Low Voltage Power Cabinets

LVPC Custom Pre-wired Power Distribution Enclosures

For additional information, pricing, applications assistance or custom designed products contact:

BASE

www.baseelectronics.com

SECURITY, POWER AND INSTRUMENTATION PRODUCTS

BASE Electronics, Inc. • 2856-C Janitell Road • Colorado Springs, CO 80906 • (719) 540-9697 • Fax (719) 540-9698