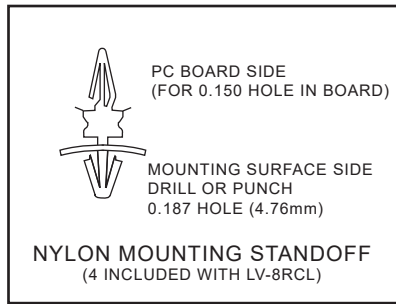


LV-8RCL Power Distribution Module

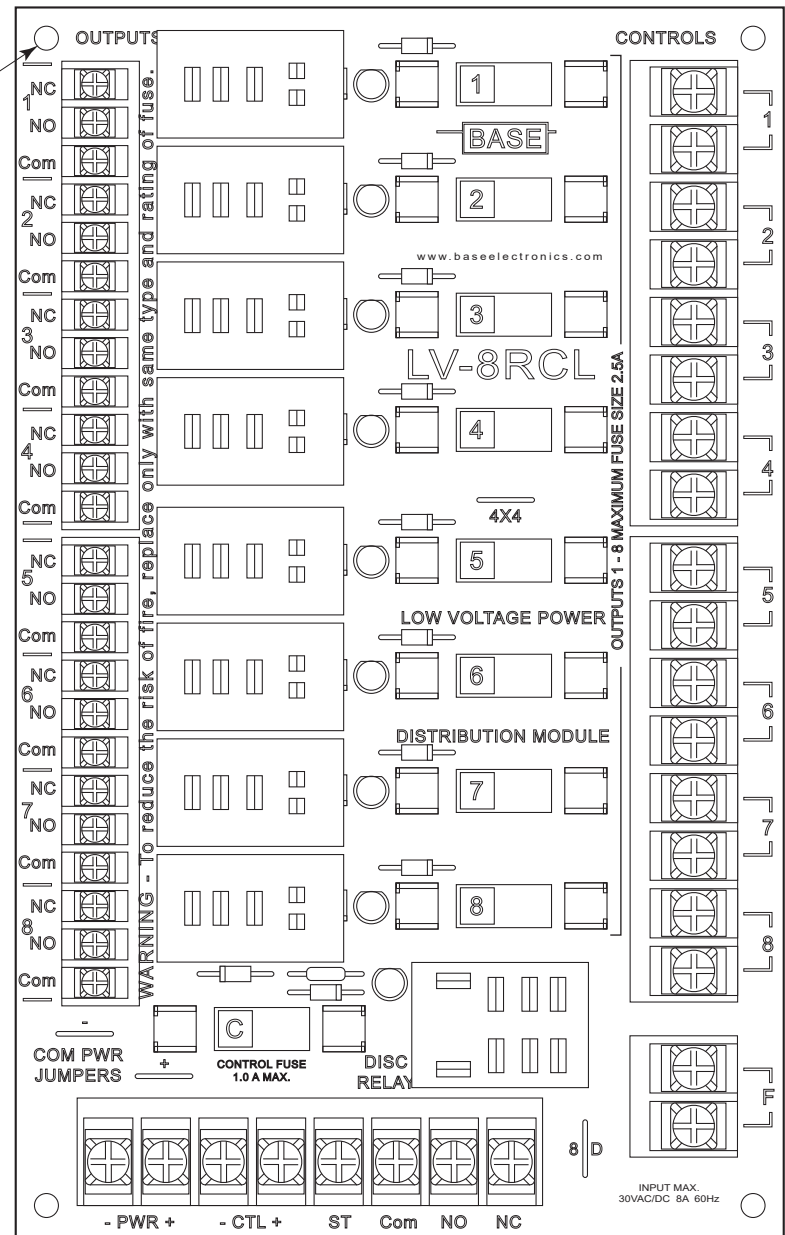
BASE

PC Board Footprint

8.00 (203.20mm)
7.80 (198.12mm)
0.15 (3.81mm) DIA HOLE
4 PLACES



0.20 (5.08mm)
0.00



0.00
0.20 (5.08mm)

4.80 (121.92mm)
5.00 (127.00mm)

www.baseelectronics.com