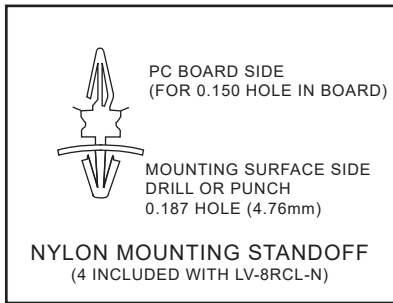


# LV-8RCL-N Power Distribution Module

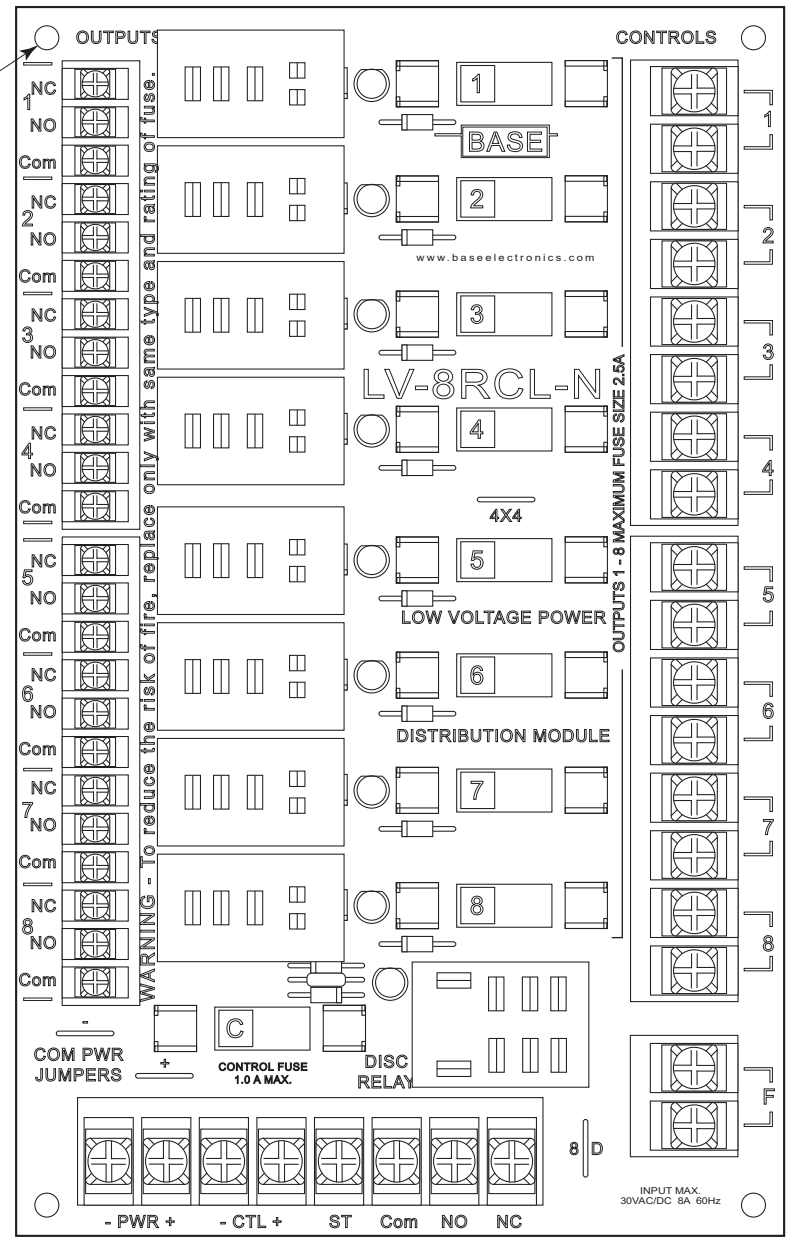
**BASE**

## PC Board Footprint

8.00 (203.20mm)  
7.80 (198.12mm)  
0.15 (3.81mm) DIA HOLE  
4 PLACES



0.20 (5.08mm)  
0.00



0.00  
0.20 (5.08mm)

4.80 (121.92mm)  
5.00 (127.00mm)

www.baseelectronics.com