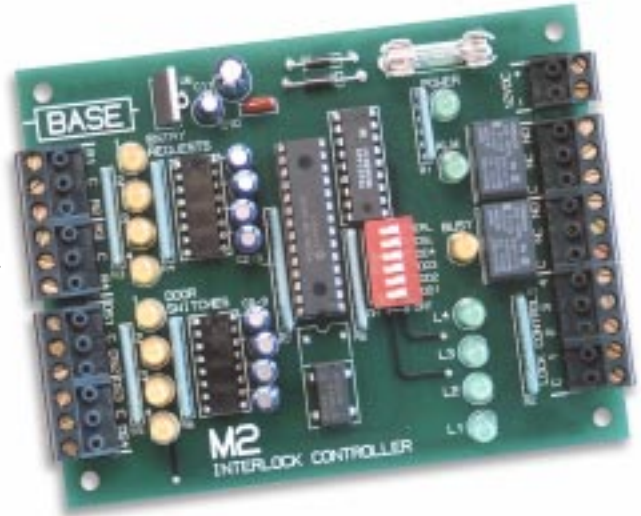


M2 Interlock Controller

Simplifies Installation and Wiring of Electrically Interlocked Doors

BASE

- **Eliminates Interlock Complexity!**
- **Interlocks up to 4 Doors**
- **Provides Lock Control Outputs**
- **Alarm / Power Fail Relay Contact Output**
- **Mantrap Busy Relay Contact Output**
- **No special or interlocked wiring needed**
- **Use NO, NC or sink-type entry/exit requests**
- **Use NO or NC door switches**
- **Depluggable Terminals**
- **LED Status Indicators**
- **Includes all Mounting Hardware**
- **Compact Size PCB : 3.5 x 4.5 inches**



The M2 automatically interlocks from 2 to 4 electrically controlled security doors and highly simplifies and minimizes interlock system wiring. The M2 is ideal for use with *any* Card Access System, exit buttons or remote controls, etc. The M2 will allow only 1 door to be electrically unlocked at any time. Any open door will prevent other doors from being unlocked. The M2 has an Alarm Relay Contact Output that will be in alarm when any 2 doors are open at the same time or on 12vdc power failure. A Busy Relay Contact Output is also provided and useful for operating busy lamps at the Mantrap Area whenever a door is open or an exit request is active.

The M2 eliminates complex interlock wiring of devices or door locks. The module senses the status of standard door position switches (*either NO or NC*) and will accept entry/exit requests from Access Control System outputs, exit buttons, or other devices (*either NO or NC dry contacts or open collector sink-type outputs*).

Use of the M2 together with a BASE LV-Series Power Distribution Module produces a complete and safe lock control system that installs fast, improves system reliability, and makes system standardization and maintenance easy. All while helping you provide a custom, yet professional installation.

The M2 module is a compact 3.5 x 4.5 inches and includes 4 nylon mounting standoffs. BASE can also supply the M2 pre-mounted in a variety of our enclosures or as part of a complete Prewired Power Cabinet Assembly to fit your application.

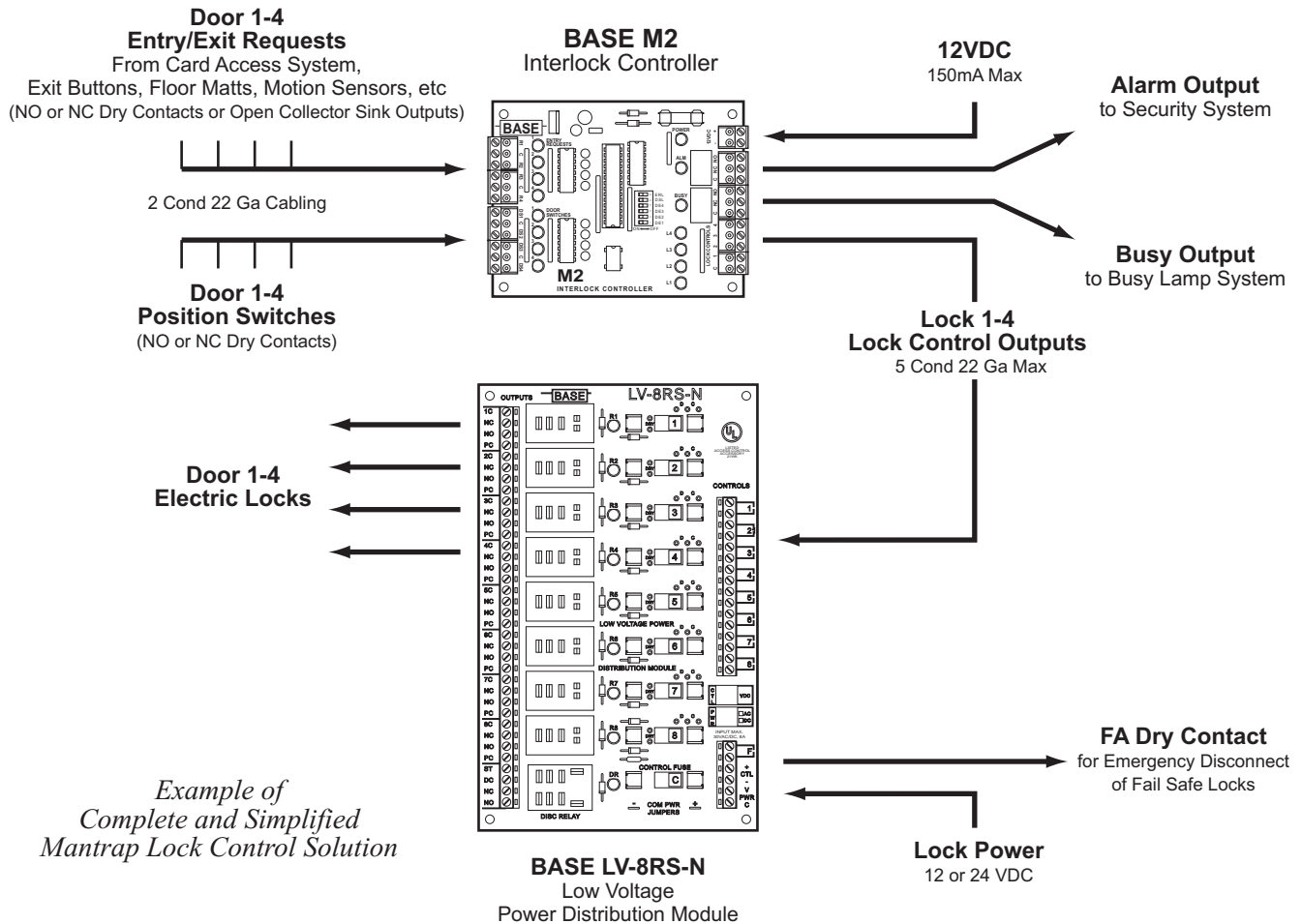
Find us on the Web: www.baseelectronics.com



© 2004-2005 BASE Electronics, Inc. - All Rights Reserved

BASE Electronics, Inc. • 2856-C Janitell Road • Colorado Springs, CO 80906 • (719) 540-9697 • Fax (719) 540-9698

M2 Interlock Controller



Specifications

- **Electrical**
Main Power Input: 11-14 VDC, fused at 0.5A
Maximum Current Consumption: 150mA at 12 VDC
Output Relay Form-C Contact Rating: 2A
Connections: Depluggable Captive Screw Terminals for #14 to #22AWG Wire
Power input protected against overvoltage, overcurrent and reverse polarity
- Indoor Temperature Range: -25° C. to +70°C.
- Size: 3.50 (88.9) wide by 4.5 (114.3) [inches (mm)]
- Mounting: (4) 1/4 inch high nylon standoffs included
- **Controls and Indicators**
9 Yellow LED Indicators for displaying Door Switch (4) and Entry Request (4) Input Status, Busy Output (1) Status
6 Green LED Indicators for displaying Lock Control (4), Power (1) and Alarm Output (1) Status
4 DIP Switches for individually enabling/disabling interlock control for each door up to 4 doors total
1 DIP Switch for globally selecting NO or NC Door Switch Inputs
1 DIP Switch for globally selecting NO or NC Entry Request Inputs
- **Special Features**
Depluggable Terminals
Requires no special interlock wiring at door devices.