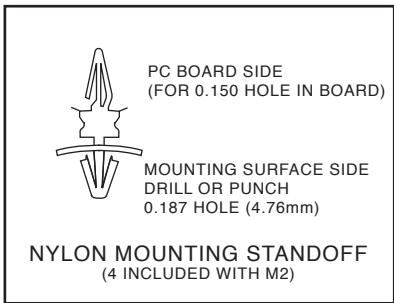
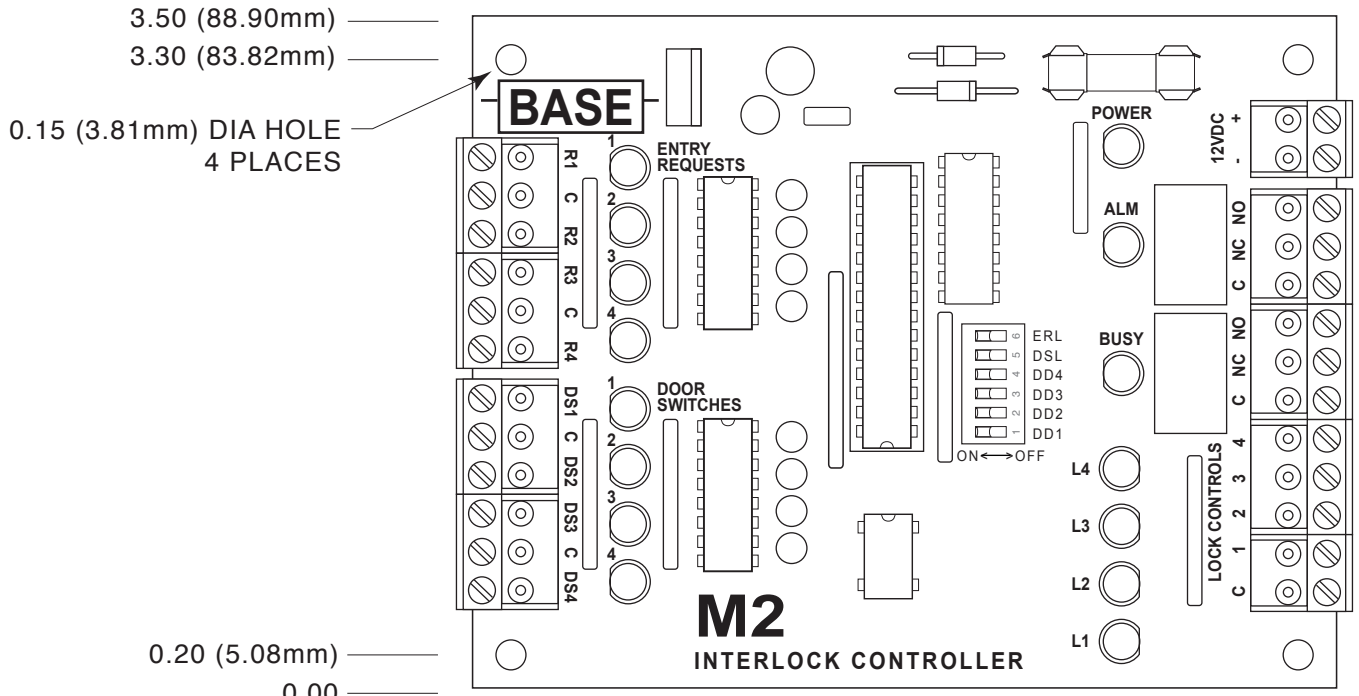


M2 Interlock Controller



PC Board Footprint

! CAUTION !
 Static sensitive components
 Use proper care when handling



0.00
 0.20 (5.08mm)

4.30 (109.22mm)
 4.50 (114.30mm)

www.baseelectronics.com