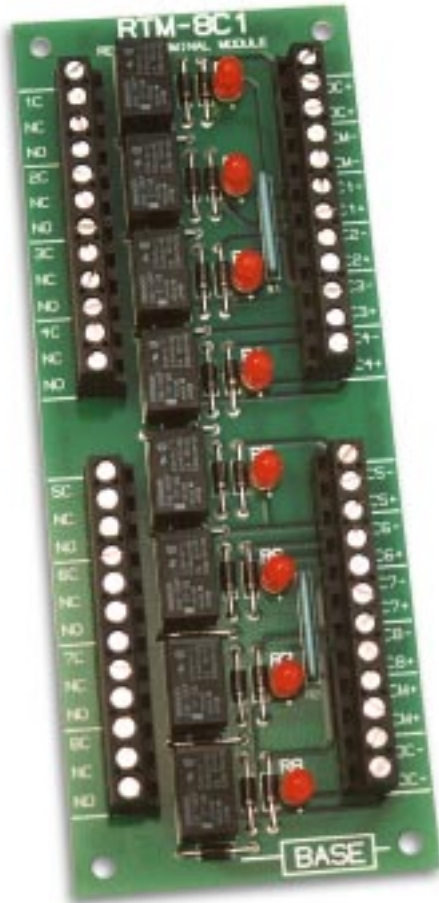


RTM-8C1 Relay Terminal Module

BASE



- 8 independent SPDT relays with 2A contacts
- 5, 12 or 24 volt DC operation
- individual or common relay control
- positive or negative relay control
- red LED status indicators at all relays
- compact size: 2.5 x 6.5
- includes all mounting hardware

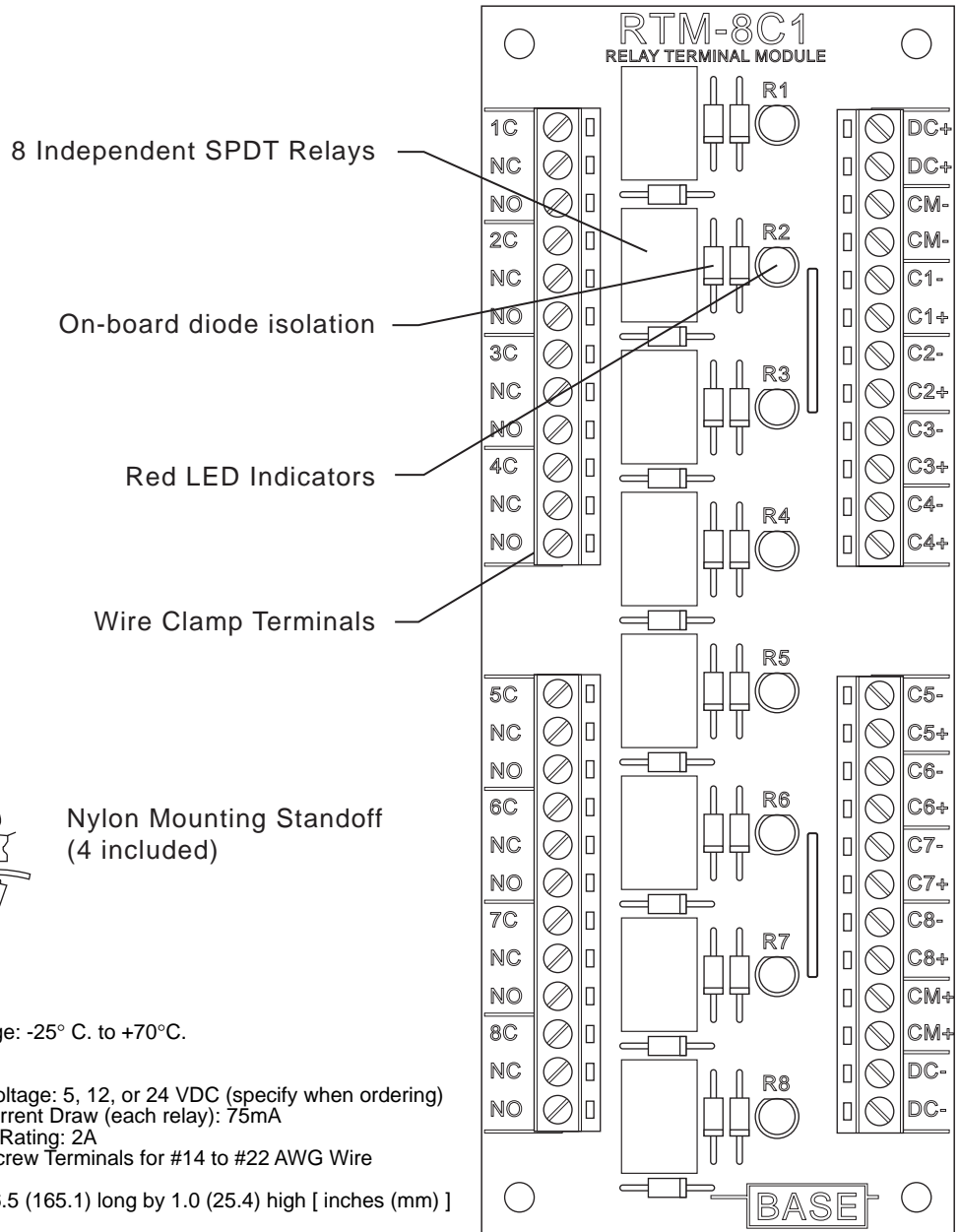
The RTM-8C1 Relay Terminal Module provides 8 individual SPDT relays together on one printed circuit board. Relays can be individually operated by using either positive or negative controls. Includes on-board diode isolation and red LED status indicators at each relay position. Outputs are dry form-C contacts rated at 2 Amps. Heavy duty wire clamp terminals for 14-24 ga wiring.

Installs fast. Eliminates tedious custom wiring and documentation headaches. No soldering or wire terminal crimping. All instructions, wiring diagrams, and mounting hardware is included. Using BASE RTMs helps provide a custom, professional installation, improves system reliability, and makes system maintenance easier.

Find us on the Web: www.baseelectronics.com



RTM-8C1 Relay Terminal Module



Specifications

- Indoor Temperature Range: -25° C. to +70°C.
- Electrical
 - Maximum DC Control Voltage: 5, 12, or 24 VDC (specify when ordering)
 - Maximum Relay Coil Current Draw (each relay): 75mA
 - Output Form-C Contact Rating: 2A
 - Connections: Captive Screw Terminals for #14 to #22 AWG Wire
- Size: 2.5 (63.5) wide by 6.5 (165.1) long by 1.0 (25.4) high [inches (mm)]
- Mounting: (4) 1/4 inch high nylon standoffs included
- Controls and Indicators
 - 8 Red LED Indicators (on when associated relay is energized)
- Other BASE products
 - LV Series Power Distribution Modules
 - LVPC Series Power Cabinets
 - EB Series Econo•Box Cabinets
 - RM-TIM Terminal Interface Module for the C-Cure RM4
 - 200796 End-Of-Line Terminators
 - Custom Electronic Power, Instrumentation and Control Products