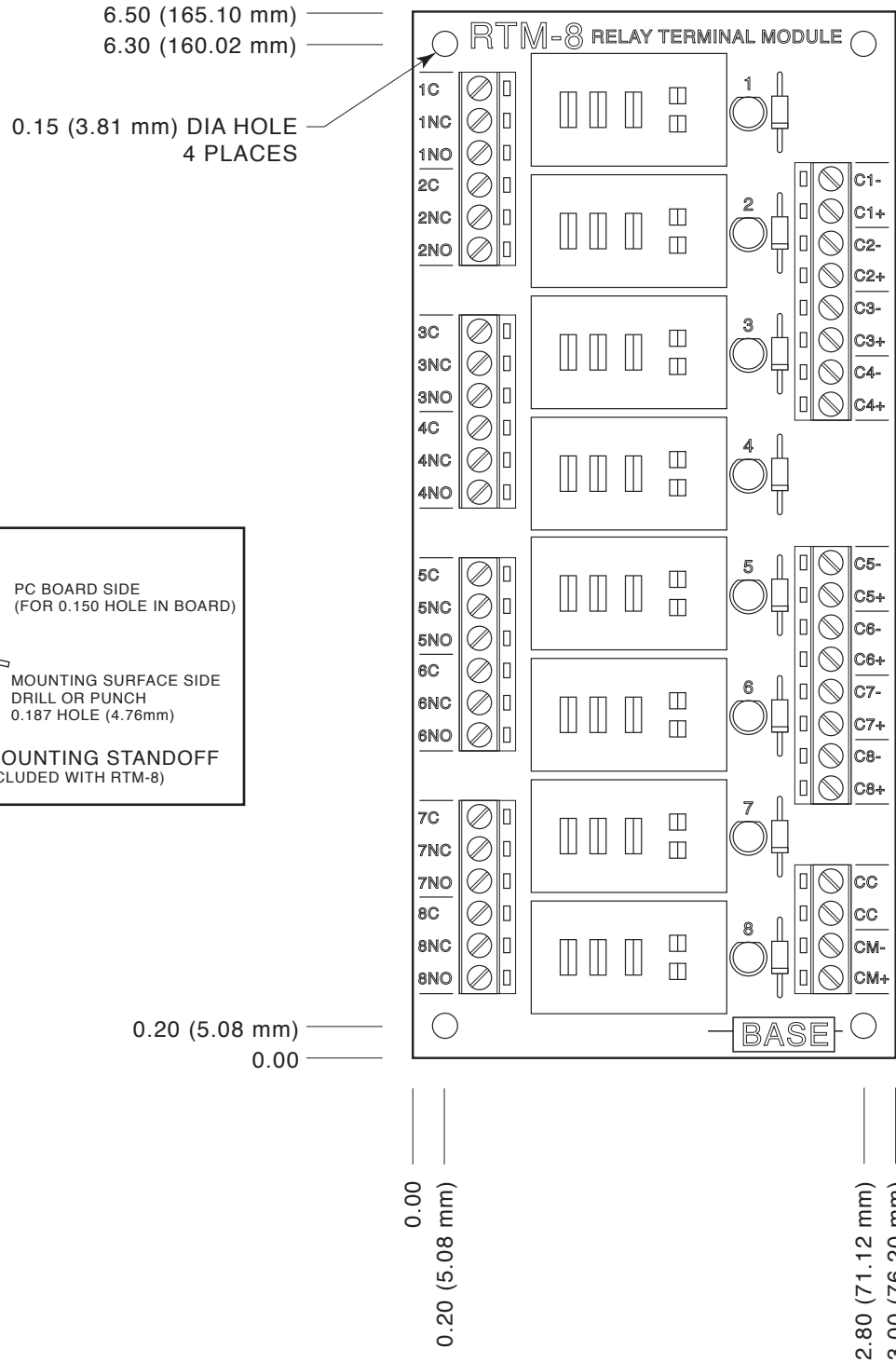


RTM-8 Relay Terminal Module

BASE

PC Board Footprint



www.baseelectronics.com