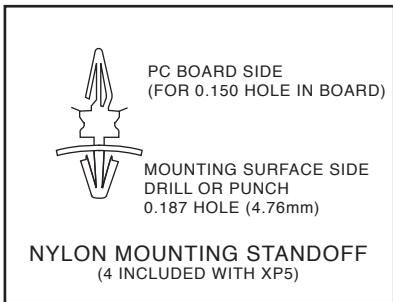
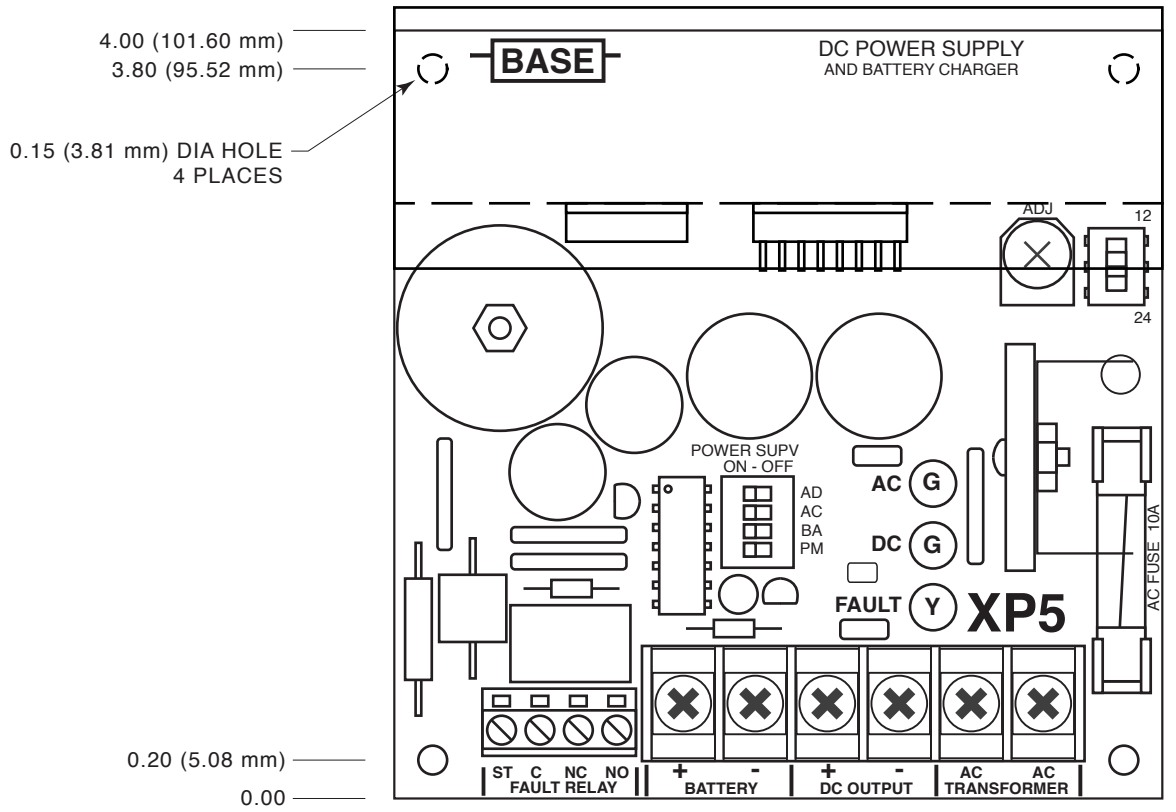


XP5 Switching DC Power Supply

BASE

PC Board Footprint



www.baseelectronics.com